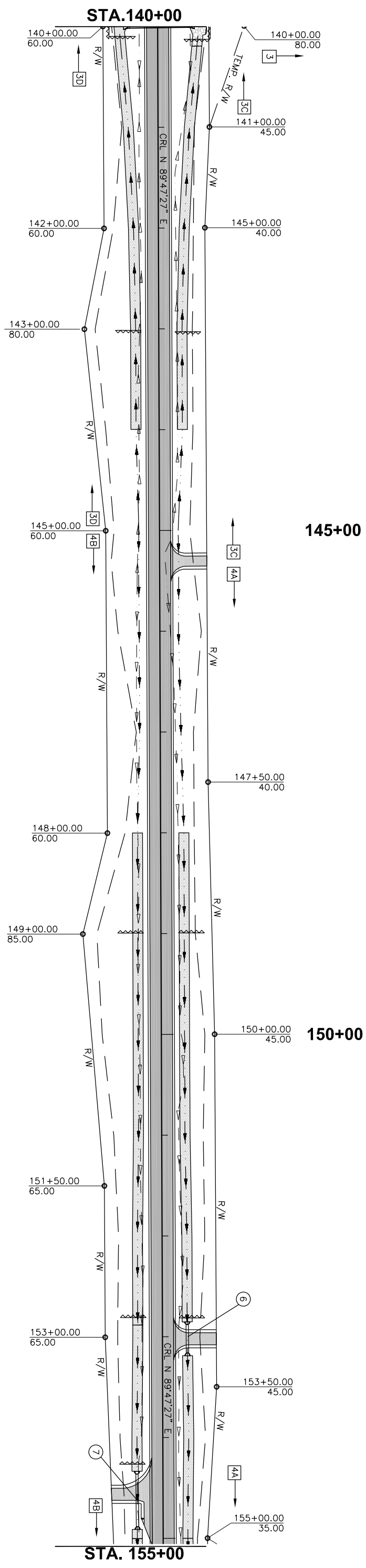
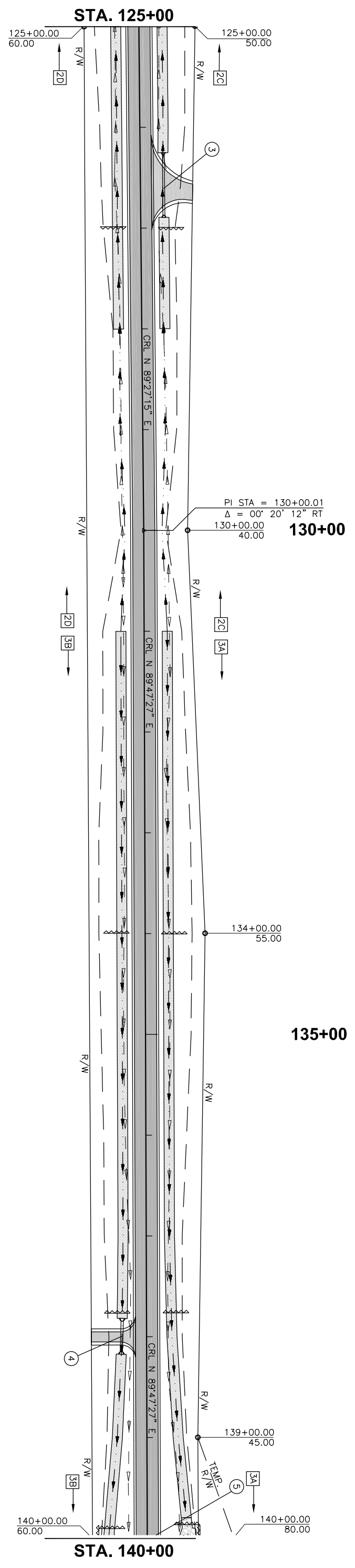


FED. ROAD DIST. NO.	PROJECT NO.	SHEET NO.	TOTAL SHEETS
6		R003	130



STR. NUMBER OR LOCATION	D.A.	DISTURBED AREA
5	3A	0.85 AC.
5	3B	0.87 AC.
5	3C	0.43 AC.
5	3D	0.56 AC.
TOTAL	3	2.71 AC.

LEGEND

	TEMPORARY SILT FENCE
	TEMPORARY SILT DIKE
	SOLID SLAB SOD DITCH
	NYLON MAT
	RIPRAP

QUANTITIES
SEE SUMMARY OF EROSION CONTROL QUANTITIES, SHEET NUMBER AX03

OSWALT ROAD
LOVE COUNTY
EROSION CONTROL PLAN
SHEET 2 OF 11
JOB PIECE NO. 25447(04) SHEET NO. R003

